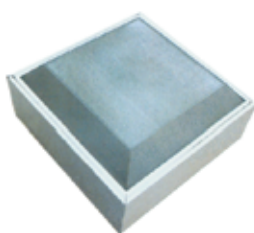
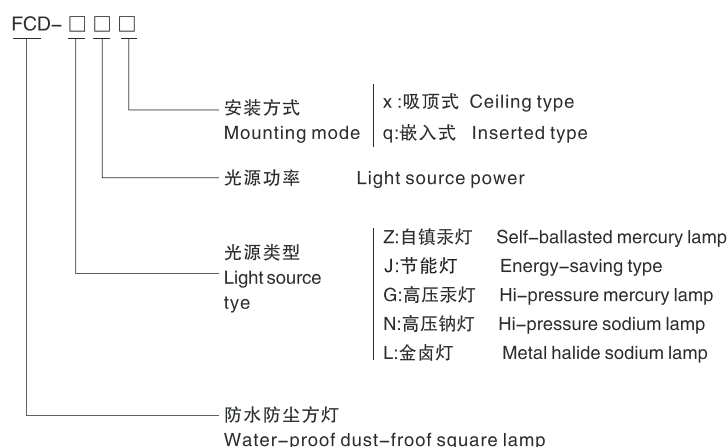


FCD

Type water-proof dust-proof square lamp



型号含义 Model implication



使用环境 Environment conditions

- 环境温度-25℃至+55℃;
- 安装高度不超过海拔2000m;
- 多水、多尘、潮湿等环境，防弱酸、弱碱腐蚀；
- 广泛应用于食品、制药、车站、加油站、商场、大型厅堂等工厂企业及商业场所；
- 根据配置的镇流器，必须选择匹配的光源，用户电源电压波动范围必须满足国家标准要求。
- Ambient temperature is -25℃ to +55℃.
- The height of installment can't over 2000 meters above sea level.
- They can withstand the corrosion of strong acid, weak alkali and the environment of more water, more dust and humidity.
- They are widely used in the lines of petroleum, chemistry, hotel, food, medicine, industrial and commercial course and so on.
- According to suited ballast, they must choose illumination according, the user's power voltage fluctuant range must accord to the national standard.

产品特点 Features

- 外壳采用优质钢板折弯成形，可按用户要求采用不锈钢板制作；
- 透明罩采用棱镜式聚碳酸酯制成，具有光线柔和、低眩光等优点；
- 一体式结构，镇流器、触发器、光源装于一体(光源用户自配)；
- 本产品表面高压静电喷塑处理，抗弱酸、弱碱腐蚀，防水、防尘，防腐等级为WF1，防护等级为IP65；
- 密封件采用硅橡胶、耐油、耐酸、耐碱、耐高温。

FCD

系列防水防尘方灯

- The shell is constructed of bended steel plate, which can be made by stainless steel according to customer's demand.
- The transparent enclosure is made of polycarbonate of prism they with the character of soft light and low dizziness.
- One-body structure, ballast, trigger and bulb are installed together (bulb is selected by customer).
- The products surface is static-sprayed plastic high-pressure, the products can withstand the corrosion of weak acid, weak alkali and have the function of water-proof, dust-proof, anti-corrosion grade is WF1, the protection grade reaches Ip65.
- The sealers adopt silicon rubber, which can withstand oil, acid, alkali and high temperature.

使用环境 Environment conditions

壳体类型 Kind of type	A×A	B×B	C×C	G×G	D×D	E	F	功率Power(W)
I	393×390	360×360	300×300	310×310	440×440	160	220	Z12,Z160,N110,G125,L100,J35,J45
II	580×580	550×550	400×400	490×490	630×630	200	280	N150,G175,L175,N250,G250,L250,N400,G400,L400,Z250,Z450,J65,J85,J120

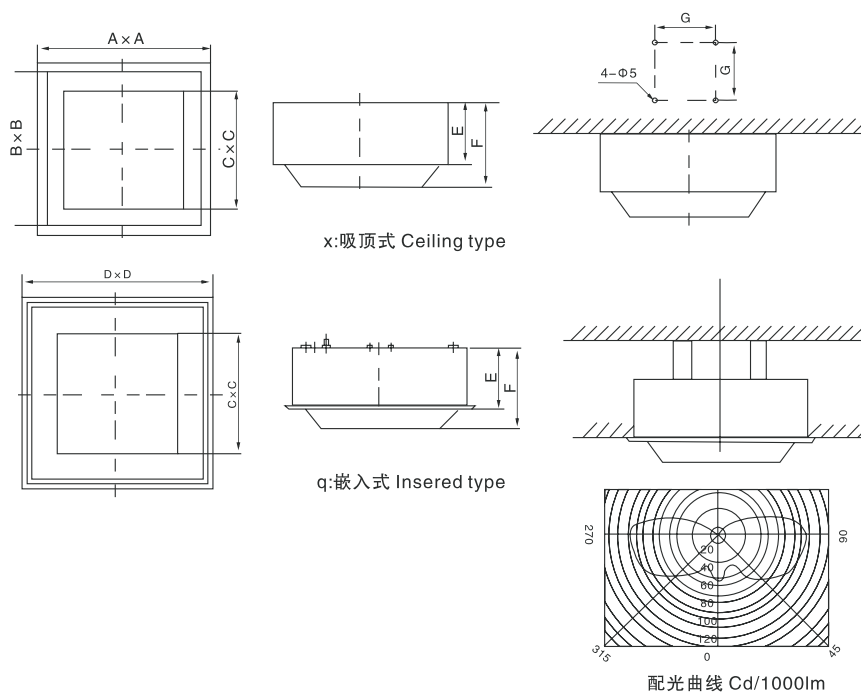
技术参数 Technical parameters

光源类型 Light source type	额定电压(V) Rated voltage	额定功率(W) Rated power	防护等级 Protection grade	防腐等级 Corrosion-proof grade	灯座规格 Lamp spec	灯具重量 Lamp weight
高压汞灯 Hi-pressure mercury lamp	AC220V	125,175, 250,400	IP65	WF1	E27 E40	4
金卤灯 Metal halide lamp		100,175, 250,400				
高压钠灯 Hi-pressure sodium lamp		110,150, 250,400				
自镇汞灯 Self-ballasted mercury lamp		125,160, 250,450				
节能灯 Energy-saving lamp		≤120				

FCD

Type water-proof dust-proof square lamp

外形及安装举例 Outline and mounting example



订货须知 Ordering references

订货时请注明产品的完整型号；

本产品出厂时不配光源，由用户自备。

Provide complete ordering products type.

Without providing the illuminant of lamp appliance.